



VITREOUS CHINA

TOILET  
21-310

LAVATORIES

TOILETS

BIDETS / URINALS

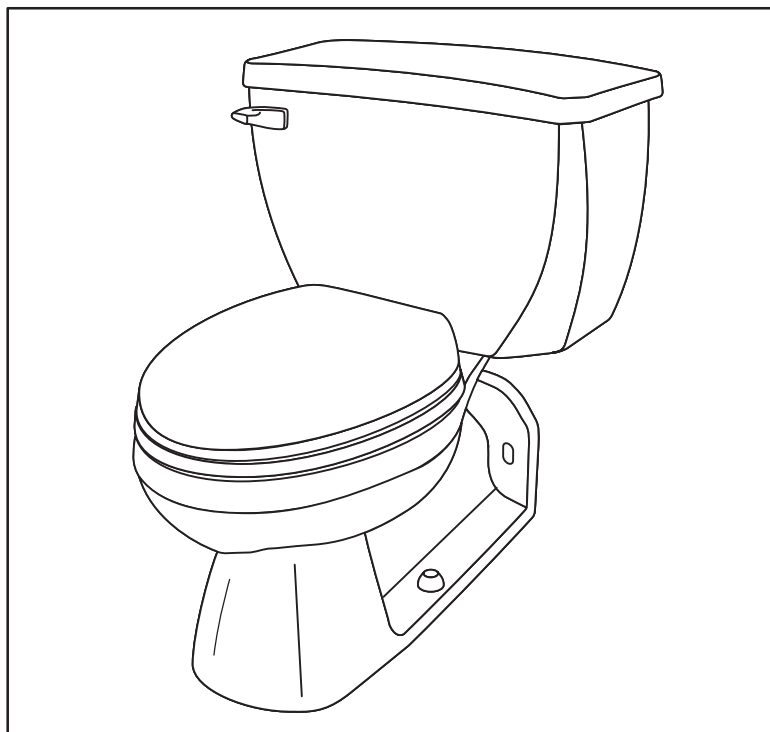
CAST IRON

# ULTRA FLUSH® Pressure-Assist Toilet Elongated, Back Outlet



### Features:

- Low Consumption 1.6 gpf (6.0 Lpf)
- Elongated Bowl
- Wall Waste Outlet
- Pressurized Flushing Action
- Close Coupled Flushometer Tank
- Optional Right-handed Trip Lever Available
- Siphon Jet
- Front Tank Lever
- 2 Bolt Caps

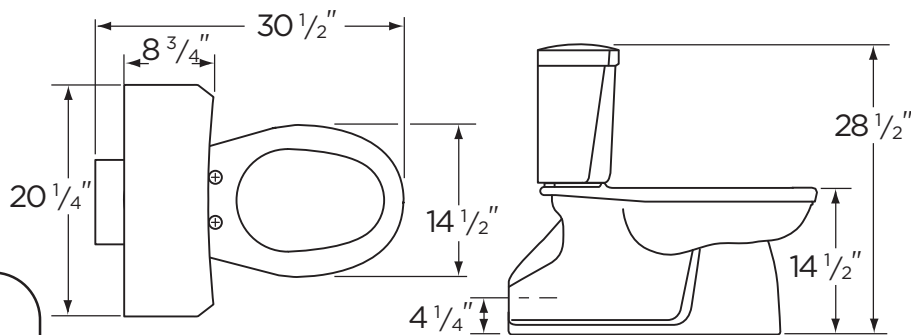


### Dimensions:

- Height ..... 28 1/2"
- Width ..... 20 1/4"
- Depth ..... 30 1/2"
- Rough-in (vertical) ..... 4 1/4"
- Water Surface from Rim .... 4 1/2"
- Trapway (min) ..... 2"
- Water Surface..... 14" x 10 1/2"
- Water Seal ..... 3"
- Shipping Weight ..... 99 lbs

**Specifications:** Bowl—#21-374 Elongated Bowl  
Seat not included

Tank—#28-380



THIS FIXTURE QUALIFIES  
ACCORDING TO ASME TEST  
PROCEDURES AS A LOW  
CONSUMPTION WATER CLOSET  
WITH AN AVERAGE CONSUMPTION  
OF 1.6 GAL. OR LESS.



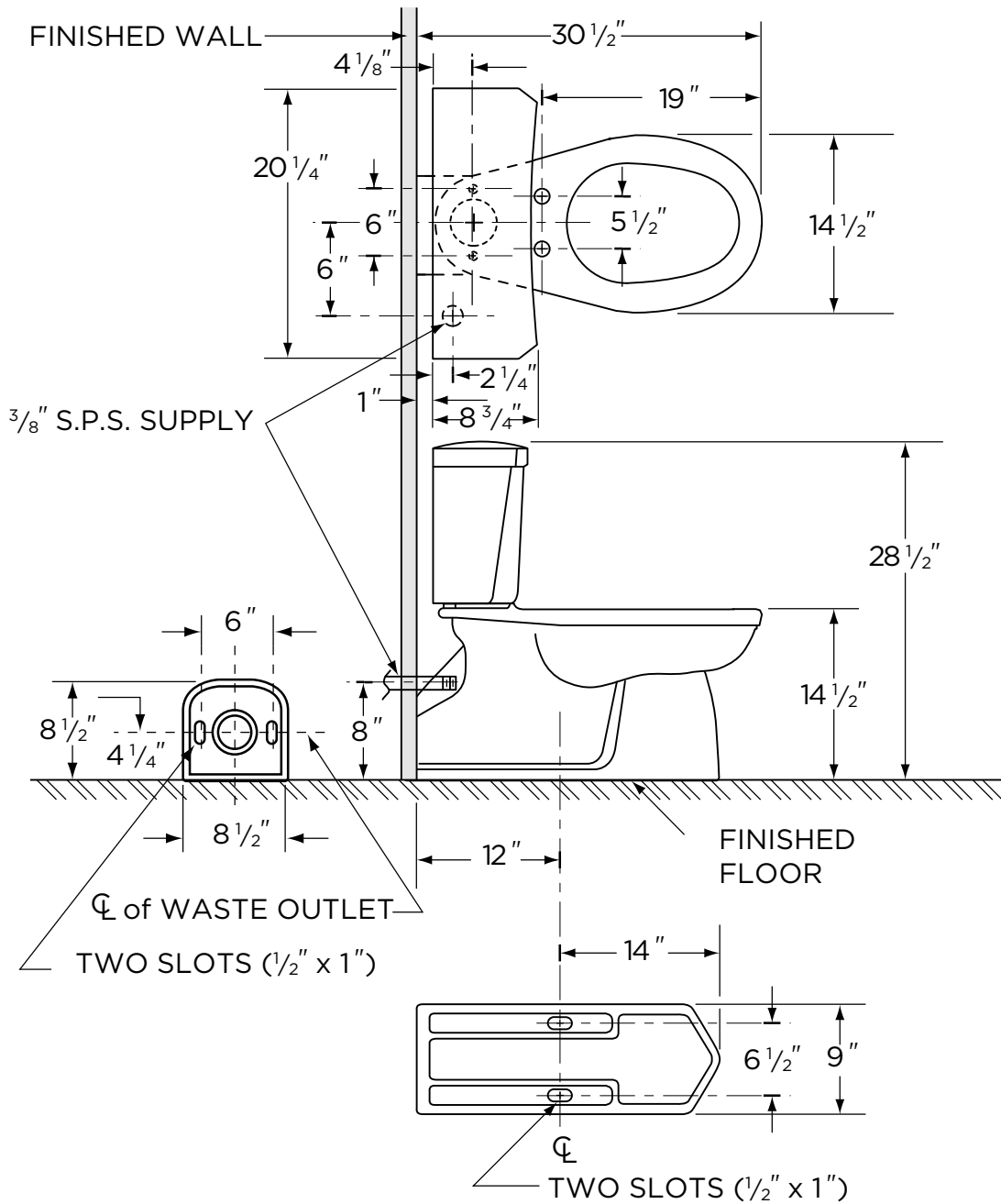
[www.gerberonline.com](http://www.gerberonline.com)

Job Name	
Date	
Model Specified	
Quantity	
Customer	
Contractor	
Architect/engineer	



1.6 gpf (6 Lpf) LOW CONSUMPTION ULTRA FLUSH® TOILET

21-310  
Elongated, Back Outlet  
(Bowl 21-374 with Tank 28-380)



NOTES:  
All dimensions are in inches.  
  
Illustrations may not be drawn to scale.

IMPORTANT:  
Dimensions of fixtures are nominal and may vary within the range of tolerances established by ASME Standard A 112.19.2.  
THIS FIXTURE QUALIFIES ACCORDING TO ASME TEST PROCEDURES AS A LOW CONSUMPTION WATER CLOSET WITH AN AVERAGE CONSUMPTION OF 1.6 gpf (6 Lpf) OR LESS.