



VITREOUS CHINA

TOILET
21-325

LAVATORIES

TOILETS

BIDETS / URINALS

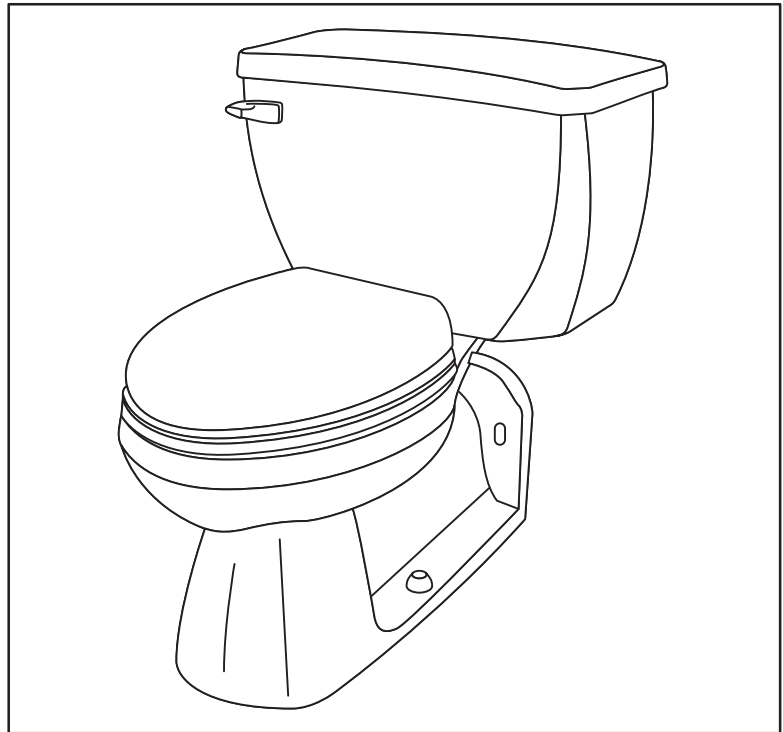
CAST IRON



ULTRA FLUSH® Pressure-Assist Toilet 17" High, Elongated, Back Outlet

Features:

- Low Consumption 1.6 gpf (6.0 Lpf)
- Elongated Bowl
- Wall Waste Outlet
- Pressurized Flushing Action
- Close Coupled Flushometer Tank
- Siphon Jet
- Front Tank Lever
- Optional right-handed trip lever available
- ADA Compliant
- 2 Bolt Caps

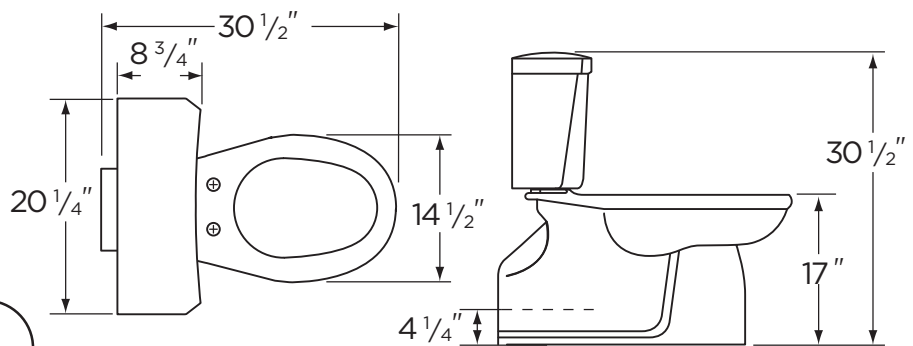


Dimensions:

- Height 30 1/2"
- Width 20 1/4"
- Depth 30 1/2"
- Rough-in (vertical) 4 1/4"
- Water Surface from Rim 4 1/2"
- Trapway (min) 2"
- Water Surface 14" x 11"
- Water Seal 3"
- Shipping Weight 105 lbs

Specifications: Bowl—#21-375 Elongated Bowl
Seat not included

Tank—#28-380



THIS FIXTURE QUALIFIES ACCORDING TO ASME TEST PROCEDURES AS A LOW CONSUMPTION WATER CLOSET WITH AN AVERAGE CONSUMPTION OF 1.6 GAL. OR LESS.



www.gerberonline.com

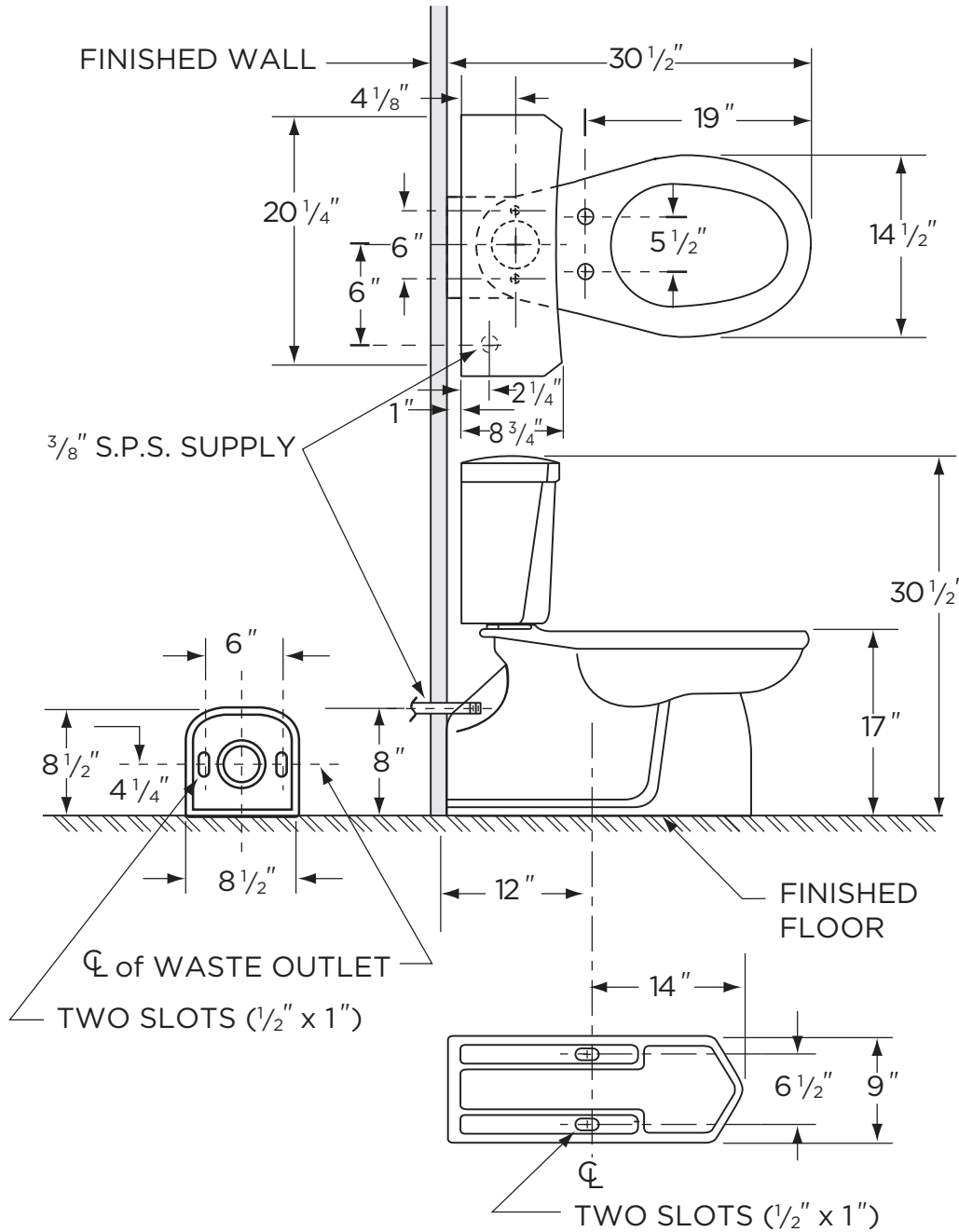
Job Name	
Date	
Model Specified	
Quantity	
Customer	
Contractor	
Architect/engineer	



1.6 gpf (6 Lpf) LOW CONSUMPTION ULTRA FLUSH® TOILET

21-325

17" High, Elongated, Back Outlet
(Bowl 21-375 with Tank 28-380)



NOTES:
All dimensions are in inches.

Illustrations may not be drawn to scale.

IMPORTANT:
Dimensions of fixtures are nominal and may vary within the range of tolerances established by ASME Standard A 112.19.2.

THIS FIXTURE QUALIFIES ACCORDING TO ASME TEST PROCEDURES AS A LOW CONSUMPTION WATER CLOSET WITH AN AVERAGE CONSUMPTION OF 1.6 gpf (6 Lpf) OR LESS.