



Model 53[®]

Sump, Effluent or Dewatering Pumps

Model 53[®] Features:

- 3-year warranty
- 3/10 HP 115 V sump pump; 230 V also available
- Performance up to 19.25' (5.9 m)
- Flows up to 43 GPM (163 LPM)
- Cast iron case cover, base, motor and pump housing
- Engineered thermoplastic base
- Corrosion-resistant, powder coated epoxy paint

100% factory tested



ZOELLER[®]
PUMP COMPANY

Trusted. Tested. Tough.[®]

zoellerpumps.com 800-928-7867
3649 Cane Run Road, Louisville, KY 40211 USA

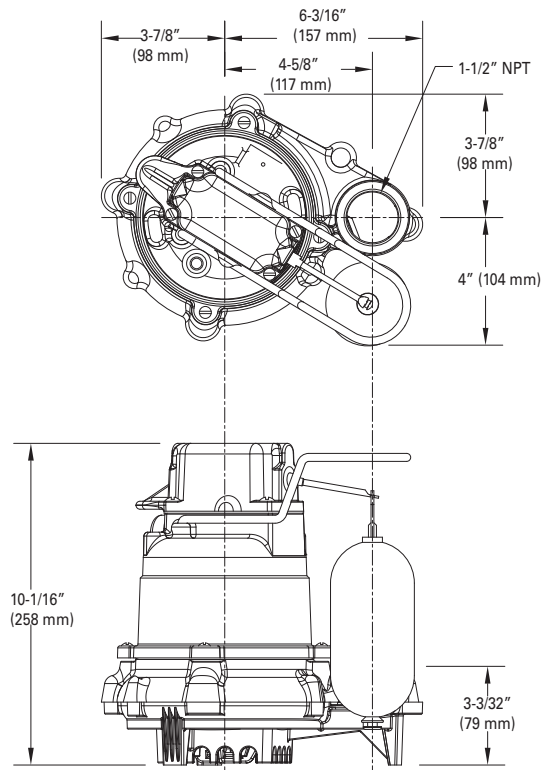


FM2958
0720
Supersedes
0420

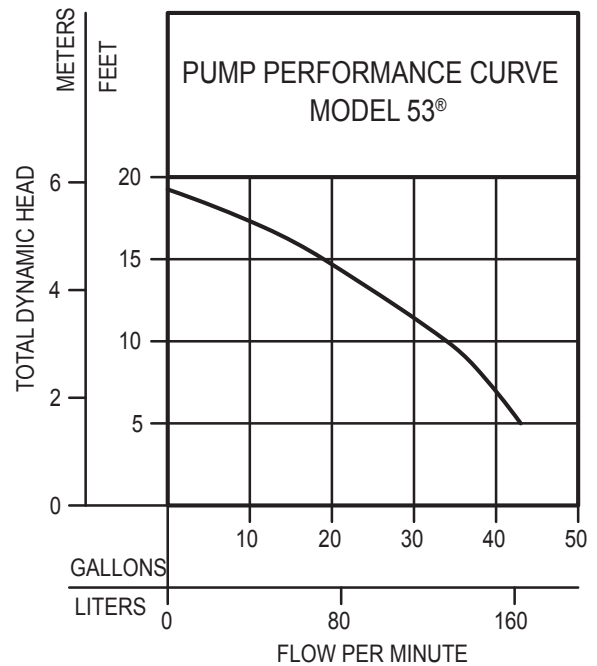
PRODUCT SPECIFICATIONS

MOTOR	Horse Power	3/10	
	Voltage	115 or 230	
	Phase	1 Ph	
	Hertz	60 Hz	
	RPM	1550	
	Type	Shaded pole	
	Insulation	Class B	
	Amps	4.8 - 9.7	
	PUMP	Operation	Automatic or nonautomatic
Auto On/Off Points		7-1/4" (18.4 cm) / 3" (7.6 cm)	
Discharge Size		1-1/2" NPT	
Solids Handling		1/2" (12 mm) spherical solids	
Cord Length		9' (3 m) automatic, 15' (5 m) nonautomatic	
Cord Type		UL listed, 3-wire, grounded plug	
Max. Head		19.25' (5.9 m)	
Max. Flow Rate		43 GPM (163 LPM)	
Max. Operating Temp.		130 °F (54 °C)	
Cooling		Oil filled	
Motor Protection		Auto reset thermal overload	
MATERIALS		Cap	Cast iron or bronze
		Motor Housing	Cast iron or bronze
	Pump Housing	Cast iron or bronze	
	Base	Cast iron, bronze or engineered thermoplastic	
	Upper Bearing	Sleeve bearing	
	Lower Bearing	Sleeve bearing	
	Mechanical Seals	Carbon and ceramic	
	Impeller Type	Non-clogging vortex	
	Impeller	Plastic, cast iron or bronze	
	Hardware	Stainless steel	
	Motor Shaft	AISI 1215 cold rolled steel	
	Gasket	Neoprene	

NOTE: See model comparison chart for specific details.



SK858



CAUTION All installation of controls, protection devices and wiring should be done by a qualified licensed electrician. All electrical and safety codes should be followed including the most recent National Electrical Code (NEC) and the Occupational Safety and Health Act (OSHA).