



Model 98

Sump Pump

Professional Series Sump Pump Model 98 Features:

- 3-year warranty
- 2-pole mechanical switch
- 1/2 HP 115 V sump pump
- Performance up to 23' (7 m) TDH
- Flows up to 72 GPM (273 LPM)
- Cast iron switch case, motor and pump housing
- Corrosion-resistant, powder coated epoxy paint

100% factory tested



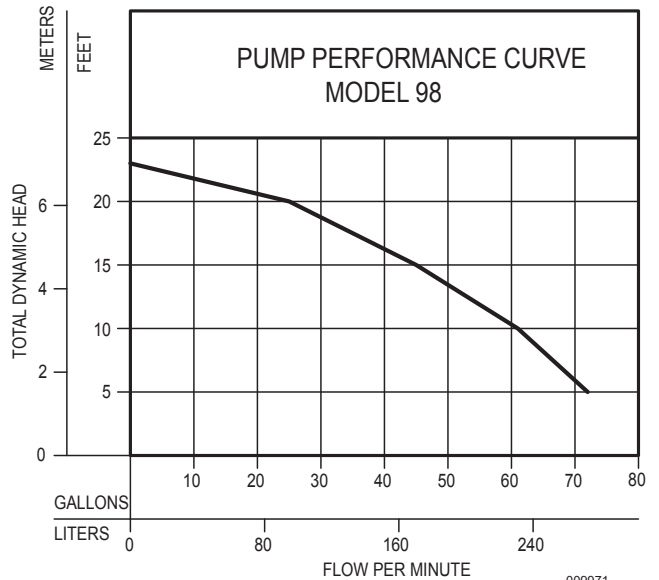
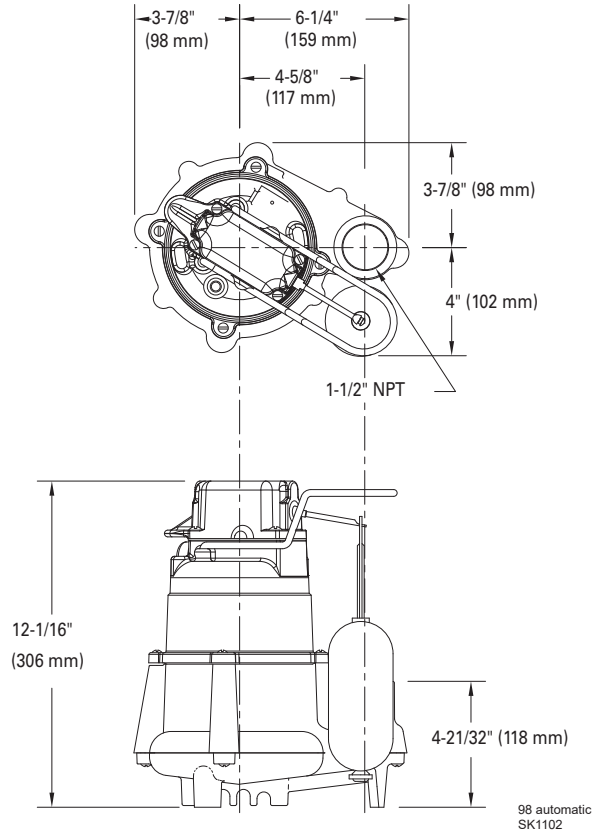
Trusted. Tested. Tough.®

zoellerpumps.com 800-928-7867
3649 Cane Run Road, Louisville, KY 40211 USA

FM3012
0520
Supersedes
0117

PRODUCT SPECIFICATIONS

| | | |
|------------------|----------------------|-------------------------------|
| MOTOR | Horse Power | 1/2 |
| | Voltage | 115 or 230 |
| | Phase | 1 Ph |
| | Hertz | 60 Hz |
| | RPM | 1725 |
| | Type | Permanent split capacitor |
| | Insulation | Class B |
| | Amps | 4.7 - 9.4 |
| PUMP | Operation | Automatic or nonautomatic |
| | Auto On/Off Points | 9-1/2" (24 cm) / 3" (7.6 cm) |
| | Discharge Size | 1-1/2" NPT |
| | Solids Handling | 1/2" (13 mm) spherical solids |
| | Cord Length | 15' (5 m) standard |
| | Cord Type | UL listed |
| | Max. Head | 23' (7 m) |
| | Max. Flow Rate | 72 GPM (273 LPM) |
| | Max. Operating Temp. | 130° F (54° C) |
| | Cooling | Oil filled |
| | Motor Protection | Auto reset thermal overload |
| | MATERIALS | Cap |
| Motor Housing | | Cast iron |
| Pump Housing | | Cast iron |
| Base | | Engineered thermoplastic |
| Upper Bearing | | Oil-fed cast iron |
| Lower Bearing | | Oil-fed cast iron |
| Mechanical Seals | | Carbon and ceramic |
| Impeller Type | | Non-clogging vortex |
| Impeller | | Engineered plastic |
| Hardware | | Stainless steel |
| Motor Shaft | | AISI 1215 cold rolled steel |
| Gasket | | Neoprene |





 Tested to Standard UL778 and
 Certified to CSA
 Standard C22.2 No. 108



