



The new degree of comfort.®



Commercial Gas
Medium Duty Water Heaters

Medium duty gas commercial water heaters feature a compact design for greater installation flexibility in tight retrofit applications

Features and Benefits

The tighter the commercial retrofit, the more you will appreciate how this water heater's compact size simplifies installations.

Space Saver Design

Short heights and narrow jacket diameters offer the ultimate in installation flexibility.

Patented Technology

Proprietary steel formulation with a unique coat of high temperature porcelain enamel to maximize corrosion resistance resulting in a superior tank design.

Patented Anode Rods

Magnesium anode rods are used to ensure corrosion resistance for a long tank life.

Efficiency

Rigid foam insulation provides superior insulating qualities, improves efficiency and reduces operating costs. Our patented process of injecting foam into the insulating cavity adds additional durability.

Automatic Controls

Control system is designed to shut off gas if the pilot flame is extinguished. Relighting is a safe, easy procedure. Thermostat settings to 160°F. A built-in gas pressure regulator assures even gas flow.

CSA/ASME Rated T&P Valve

Factory installed relief valve

Full Port, Full Flow Brass Drain Valve

Factory installed brass drain valve allows for faster draining and servicing.

High Altitude Compliant

Some models are certified for applications up to 8,500 feet above sea level. Please consult factory for certification requirements.

Warranty

3-Year limited tank warranty

See Commercial Warranty Certificate for complete information

Safety and Construction | These products are design certified by CSA Laboratories: a) For operation at 160°F. b) To meet all safety and construction requirements of ANSI Z21.10.1/ANSI Z21.10.3. c) As an automatic storage water heater. d) For operation of combustible floors and alcove installations. e) For combination water heating and space heating applications. All models are North Carolina and Massachusetts Code compliant. **Certified for 150 PSI maximum working pressure.**



Rheem Medium Duty

48 to 100-Gallon Capacities
54,000 to 80,000 BTU/h
Natural and LP Gas



See specifications chart on back.



INTEGRATED AIR & WATER



The new degree of comfort.®



Commercial Gas
Medium Duty Water Heaters

RECOVERY CAPACITIES

Recovery in U.S. Gallons/Hr. (GPH) at various temperature rises

MODEL NUMBER	INPUT (BTU/HR.)	40°F	50°F	60°F	70°F	80°F	90°F	100°F	110°F	120°F	130°F
G50-60N†*	60,000	138	111	92	79	69	61	55	50	46	43
G50-54LP*	54,000	124	99	83	71	62	55	50	45	41	38
G75-75N-3†*	75,100	182	146	121	104	91	81	73	66	61	56
G75-76LP*	75,100	182	146	121	104	91	81	73	66	61	56
G100-80	80,000	194	155	129	111	97	86	78	71	65	60
G100-80N†	76,000	184	147	123	105	92	82	74	67	61	57
G100-76LP*	75,100	182	146	121	104	91	81	73	66	61	56

Recovery rating is based on recovery efficiencies obtained in a CSA certified laboratory.

MAXIMUM DELIVERY

Delivery in U.S. Gallons. (Includes useable storage and recovery for indicated times)

MODEL NUMBER	GALLON CAPACITY	INPUT (BTU/HR.)	TEMP. RISE	UNITS	5 Min.	10 Min.	15 Min.	20 Min.	30 Min.	45 Min.	60 Min.	120 Min.	180 Min.	Min. to Rec. Contents
G50-60N	48	60,000	100 °F	GAL	38	43	48	52	62	76	90	146	202	52
G50-54LP	48	54,000	100 °F	GAL	38	42	46	50	59	71	84	134	185	57
G75-75N-3	75	75,100	100 °F	GAL	59	65	71	77	89	107	125	198	271	62
G75-76LP	75	75,100	100 °F	GAL	59	65	71	77	89	107	125	198	271	62
G100-80	100	80,000	100 °F	GAL	77	83	89	96	109	128	148	225	303	77
G100-80N	100	76,000	100 °F	GAL	76	82	88	95	107	125	144	217	291	81
G100-76LP	98	75,100	100 °F	GAL	76	82	88	94	106	125	142	215	289	82

DIMENSIONAL INFORMATION

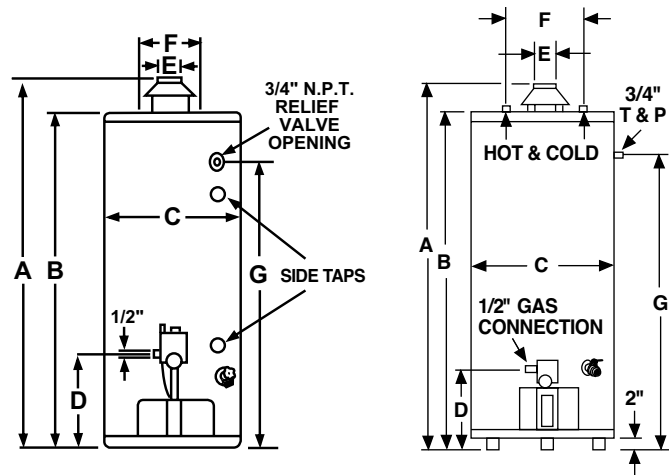
MODEL NUMBER	UNITS	A	B	C	D	E	F	G	CLEARANCE TO COMBUSTIBLES			APPROX. SHIPPING WEIGHT
									SIDE	FRONT	TOP	
G50-60	inches	61-3/4	58-1/2	21-3/4	14	4	11	51-3/4	0	3	12	150 lbs
G75-75	inches	64	60	26-1/4	13-1/4	4	11	53-1/4	1	3	12	320 lbs.
G100-80	inches	69-5/8	65-3/4	28-1/4	11	4	15	57-13/16	1	Alcove	12	410 lbs.
G100-76	inches	67-7/8	64	27-1/4	14-7/8	4	11	57-3/16	1	3	12	350 lbs.

†Meets 40ng/J NOx requirements.

*FVIR Compliant

Recommended Specifications

Water heater(s) shall be model _____, manufactured by Rheem, having gas input of _____ Btu/h and a recovery rate of _____ GPH at a 100°F temperature rise. Water heater(s) shall have a storage capacity of _____ gallons. Water heater(s) shall have the CSA seal of certification and be factory equipped with an CSA/ASME rated temperature and pressure relief valve. Tank(s) shall have a coating of high temperature porcelain enamel and furnished with a magnesium anode rod rigidly supported and a brass drain valve. Water heater(s) shall meet or exceed the energy factor requirements of ASHRAE. Tanks shall have a working pressure rating of 150 psi, and shall be completely factory assembled, including a pressure regulator properly adjusted for operation on _____ gas. Controls will be arranged for safety shutoff in event of pilot failure. Complete unit shall be insulated with rigid polyurethane foam insulation.



G50-60 & G75-75
Side taps on 48, 75 & 98 gallon models only

G50-60
water connections are 3/4" NPT

G75-75
water connections are 1" NPT

G100-80
water connections
are 1" NPT

In keeping with its policy of continuous progress and product improvement, Rheem reserves the right to make changes without notice.

Rheem Water Heating • 1115 Northmeadow Parkway, Suite 100
Roswell, Georgia 30076 • www.rheem.com

Rheem Canada Ltd./Ltée • 125 Edgeware Road, Unit 1
Brampton, Ontario L6Y 0P5 • www.rheem.ca



INTEGRATED AIR & WATER