



# VENTED ROOM HEATERS

Enjoy instant warmth plus lower heating cost with traditional enclosed glass-front “fireplace-look” heaters. These vented room heaters provide comfort for hard-to-heat areas and are designed to give you maximum efficiency, low fuel consumption and quiet operation.

## FEATURES

- No electricity required
- “Matchless” pilot igniter
- Burners engineered for quiet operation and maximum heat efficiency
- Louvered-top design and front grille for improved heat circulation
- Factory-installed ceramic fiber logs *(fireplace-look models)*
- Natural or propane models *(conversion kits available)*
- Automatic temperature and safety controls
- Resettable vent-limit safety switch



35,000 - 65,000 BTU/hr.



20,000 BTU/hr.  
ENCLOSED COMPACT MODEL  
FOR SMALLER ROOMS



35,000 - 65,000 BTU/hr.



# VENTED ROOM HEATERS

MODEL NO.		BLOWER OPTION	BTU/hr. INPUT	BTU/hr. OUTPUT	DIMENSIONS (INCHES)			THERMOSTAT TYPE SOLD SEPARATELY	VENT SIZE INCHES	SHIPPING WEIGHT LBS.
NATURAL	PROPANE				WIDTH	DEPTH	HEIGHT			
<b>ENCLOSED FRONT</b>										
2001622A	2001621A	NO BLOWER	20,000	15,500	23	12 3/8	21 9/16	MILLIVOT	3	45
3501522A	3501521A	NO BLOWER	35,000	25,000	25	16	28 7/8	MILLIVOT	4	74
3501922A	3501921A	INCLUDED	35,000	25,000	30	16	28 7/8	MILLIVOT	4	83
5001522A	5001521A	NO BLOWER	50,000	34,500	30	17	33 1/4	MILLIVOT	4	103
5001922A	5001921A	INCLUDED	50,000	34,500	30	17	33 1/4	MILLIVOT	4	112
6501522A	6501521A	NO BLOWER	65,000	47,000	34	20 1/2	33 7/8	MILLIVOT	5	128
6501922A	6501921A	INCLUDED	65,000	47,000	34	20 1/2	33 7/8	MILLIVOT	5	137

FEATURES	MODEL NO.		BLOWER OPTION	BTU/hr. INPUT	BTU/hr. OUTPUT	DIMENSIONS (INCHES)			THERMOSTAT TYPE SOLD SEPARATELY	VENT SIZE INCHES	SHIPPING WEIGHT LBS.
	NATURAL	PROPANE				WIDTH	DEPTH	HEIGHT			
OPERATES W/O ELECTRICITY	3502522A	3502521A	NO BLOWER	35,000	25,000	25	16	28 7/8	CABINET OR WALL	4	81
	3502922A	3502921A	INCLUDED	35,000	25,000	25	16	28 7/8	CABINET OR WALL	4	90
RESETTABLE VENT SWITCH	5002522A	5002521A	NO BLOWER	50,000	34,500	30	17	33 1/4	CABINET OR WALL	4	108
	5002922A	5002921A	INCLUDED	50,000	34,500	30	17	33 1/4	CABINET OR WALL	4	117
CONVERTIBLE GAS VALVES	6502522A	6502521A	NO BLOWER	65,000	47,000	34	20 1/2	33 7/8	CABINET OR WALL	5	135
	6502922A	6502921A	INCLUDED	65,000	47,000	34	20 1/2	33 7/8	CABINET OR WALL	5	144

Elevation rating from sea level to 2,000'

Consult Owner's Manual for installation of product at elevations over 2000'

1/2" Gas Connection

## FEATURES

### "MATCHLESS" PILOT IGNITER

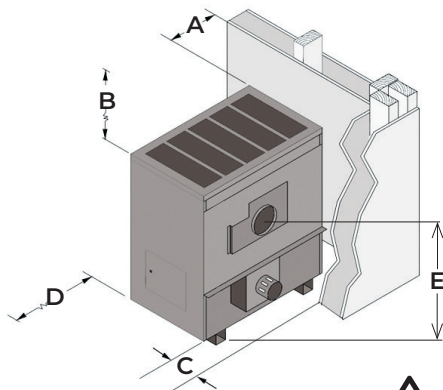
All models include a "matchless" pilot igniter that assures convenient pilot lighting without matches.

### CONTEMPORARY FINISH

Black, powder-coat, heat-resistant finish to compliment any decor.

### INTERIOR FURNACE CLEARANCES

MODEL SERIES	A	B	C	D	E
200 SERIES	2	36	3	24	17
350 SERIES	6	57	6	24	21 1/4
500 SERIES	6	57	6	24	23
650 SERIES	6	57	6	24	25 1/2



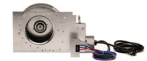
**WARNING:** This product can expose you to chemicals including epichlorohydrin which is known to the State of California to cause cancer and birth defects and/or other reproductive harm. For more information go to [www.p65warnings.ca.gov](http://www.p65warnings.ca.gov)

## ACCESSORIES

**THERMOSTAT SOLD SEPARATELY** part number P322016

### BLOWER

Contemporary black color, heavy-duty blower is available for larger rooms where faster heat circulation is desired. 150 CFM, 120V. Shipping weight 9 lbs.



### FLOORBOARDS

Contemporary black color to match the heater with scratch-resistant powder-coat finish.  
**Model 4163** for 50,000 and 65,000 BTU/hr. models. (Oversized) shipping weight 16 lbs.  
**Model 4167** for 20,000 and 35,000 BTU/hr. models. (Oversized) shipping weight 10 lbs.

### CONVERSION KITS

MODEL SERIES	NATURAL TO PROPANE	PROPANE TO NATURAL
200 SERIES	8945	8949
350 SERIES	8946	8950
500 SERIES	8947	8951
650 SERIES	8948	8952



### IMPORTANT

**ANY WARRANTY CONSIDERATIONS ARE CONTINGENT ON INSTALLATION BY A QUALIFIED INSTALLER (CONTRACTOR). SELF-INSTALLATION IS PROHIBITED AND WILL INVALIDATE YOUR WARRANTY.**

- Read owner's manual before using/installing.
- Photographs are representative only.
- Check local codes and ordinances for permitted uses.
- Consult installation manual for clearances prior to installation.
- We reserve the right to amend product specifications without notice.
- Installation and servicing recommended by a qualified service person.
- Please read the warranty for any limitations of disclaimers. Combustion chamber carries a 10-year limited warranty. All other parts carry a one-year limited warranty.
- Venting must comply with the "Venting and Chimney Requirements" section of the instruction manual.
- Massachusetts Approval CI-0816-23.