

Trusted. Tested. Tough.™

Product information presented here reflects conditions at time of publication. Consult factory regarding discrepancies or inconsistencies.



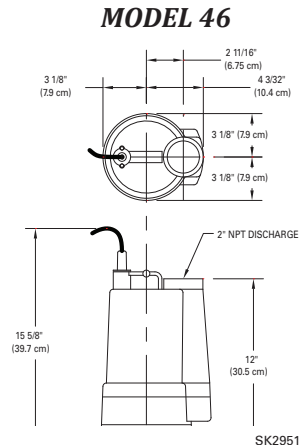
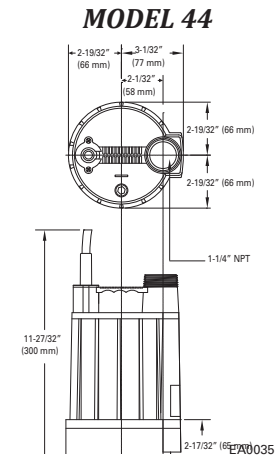
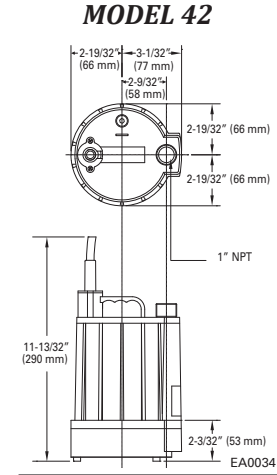
SECTION: 2.10.010
FM2773
0616
Supersedes
0114

TECHNICAL DATA SHEET FLOOR SUCKER® SERIES Models 42, 44, 46 Utility Pumps

Use FLOOR SUCKER® Submerged or On Any Flat Surface to Pump Clear Water.

PRODUCT SPECIFICATIONS

MOTOR	Horse Power	1/6 - 1/2
	Voltage	115
	Phase	1 Ph
	Hertz	60 Hz
	RPM	3450
	Type	Permanent split capacitor
	Insulation	Class B
	Amps	1.5 - 6.0
PUMP	Operation	Automatic and nonautomatic
	Discharge Size	Model 42: std garden hose adapter included, 1" NPT or 1-1/4" slip fit Model 44: std garden hose adapter included, 1-1/4" or 3/4" female NPT Model 46: 2" NPT w/ 2" hose adapter
	Cord Length	9' (3 m) or 20' (6 m) standard
	Cord Type	3-wire, grounded plug
	Max. Head	33' (10 m)
	Max. Flow Rate	3,300 GPH (12,492 LPH)
	Max. Operating Temp.	104° F (40° C)
	Cooling	Oil free (Models 42 & 44) or oil filled (Model 46)
	Motor Protection	Auto reset thermal overload
	Max. Submersion Depth	20' (6 m)
MATERIALS	Motor Housing	Engineered plastic
	Base	Engineered plastic
	Upper Bearing	Ball bearing
	Lower Bearing	Ball bearing
	Mechanical Seals	Carbon and ceramic
	Impeller Type	Non-clogging vortex
	Impeller	Engineered plastic
	Hardware	Stainless steel
	Motor Shaft	SUS 416 stainless steel
Gasket	NBR	



NOTE: See model comparison chart for specific details.

Models 42 & 44 fit into a 7" (178 mm) opening and removes water from flat surface within 1/8" (3.2 mm). Model 46 fits into an 8" (203 mm) and removes water to within 1" (52.4 mm)



© Copyright 2016 Zoeller® Co. All rights reserved.

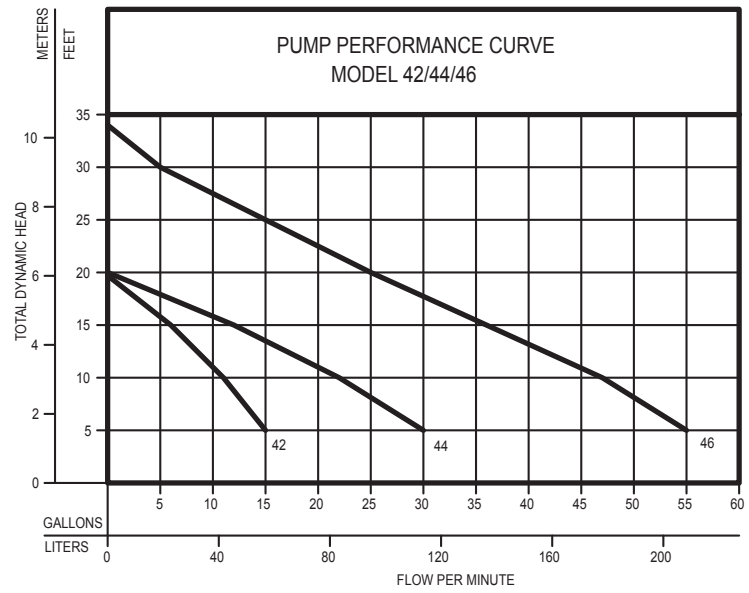
502-778-2731 | 800-928-7867 | 3649 Cane Run Road | Louisville, KY 40211-1961 | zoeller.com

**TOTAL DYNAMIC HEAD
FLOW PER MINUTE**

MODEL		42		44		46	
Feet	Meters	Gal.	Liters	Gal.	Liters	Gal.	Liters
5	1.5	15	57	30	114	55	208
10	3.0	11	42	22	83	47	178
15	4.6	6	23	12	45	36	136
20	6.1	--	--	--	--	25	95
30	9.1	--	--	--	--	5	19
Shut-off Head:		19 ft. (5.8m)		20 ft. (6.1m)		34 ft. (10.4m)	

014066

* Model LM44 not to be used as a sump pump



Model	MODEL COMPARISON										
	Seal	Mode	Volts	Ph	Amps	HP	Hz	Lbs	Kg	Max Width	Max Height
N42	Single	Non	115	1	1.5	1/6	60	7	3	6" (15 cm)	9-1/2" (24 cm)
LM44	Single	Auto	115	1	2.5	1/4	60	9	4	6" (15 cm)	11-3/4" (30 cm)
N44	Single	Non	115	1	2.5	1/4	60	9	4	6" (15 cm)	11-3/4" (30 cm)
N46	Single	Non	115	1	6.0	1/2	60	16	7	8" (20 cm)	14-1/2" (37 cm)